

# CERTIFICATE OF LOCATION OF GOVERNMENT CORNER

NORTHEAST Corner of Section 13, Township 108, Range 40, 5TH P.M.

STATE OF MINNESOTA, County of MURRAY

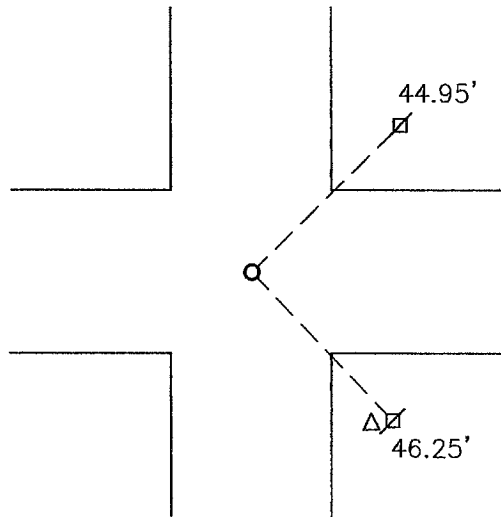
At the corner location shown on the sketch:

On 08-29-2008 found a SIoux ENGINEERING PIN  
DATE

left monument as found,  lowered monument,  removed monument (explain)

On \_\_\_\_\_ placed a \_\_\_\_\_  
DATE

### SKETCH OF REFERENCE TIES



Minnesota State Plane Coordinate  
System Murray County Datum  
NAD83 (1996)

N: 216297.987  
E: 548372.244

Nail and seal in power pole NE 44.95'  
Nail and seal in power pole SE 46.25'

Statement of evidence relative to this corner location is on back of page.

I hereby certify that this document and the data contained herein was prepared by me or under my direct supervision.

*James V. Johnson* Jan 6, 2009  
SIGNATURE DATE

Registration No. 43844

Land Surveyor,  Professional Engineer  
 County Surveyor,  County Engineer

OFFICE OF THE COUNTY RECORDER

County of \_\_\_\_\_

I hereby certify that this document was filed in the Co. Recorders office at \_\_\_\_\_ .M on the \_\_\_\_\_ day of \_\_\_\_\_ A.D. 20 \_\_\_\_\_

County Recorder *James V. Johnson*  
By \_\_\_\_\_, Deputy

DOCUMENT NO. JUL 10 2009

## Statement of Evidence

In 1867, J. W. Myers did the original survey of the township lines.

On April 2, 1977 a grey rock with a 4" square top was located at the corner, an iron pin was set over the stone.

On August 29, 2008, Bueltel-Moseng Land Surveying found a Sioux Engineering pin at the corner.